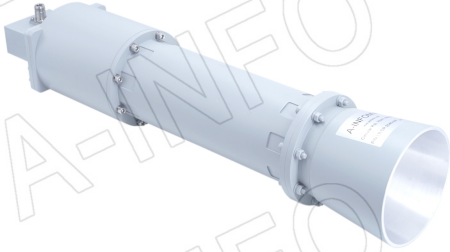


For reference only. See data sheet for the detailed specifications.

Technical Specification

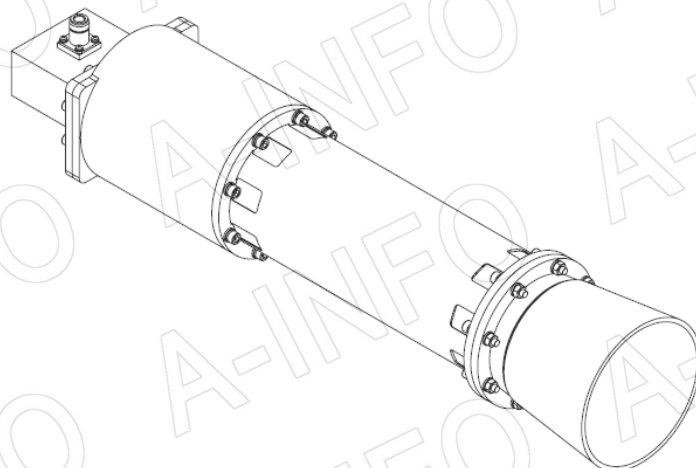
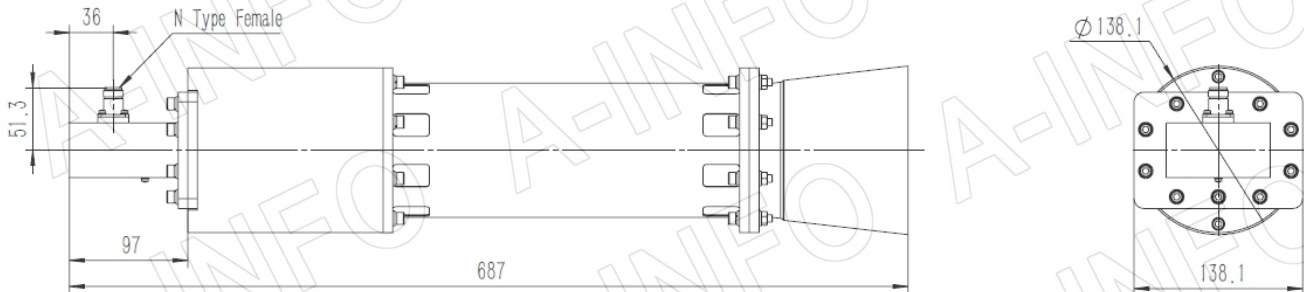


Frequency Range(GHz)	2.0 - 4.0
Gain(dBic)	10 Typ.
Polarization	LHCP
Axial Ratio(dB)	2.0 Typ. ; 4.0 Max.
3dB Beamwidth(deg)	E Plane: 46 Typ.
	H Plane: 46 Typ.
VSWR	1.80:1 Max.
Connector	N-Female or SMA-Female
Material	Al
Finish	Chemical Conversion Coating, Gray Paint
Size(mm)	138.1 x 138.1 x 687
Net Weight(Kg)	6.42 Around

Outline Drawing (Size: mm)

N-Female Output (P/N: LB-CNH-320-10-L02-C-NF)

For SMA-Female output outline drawing, please contact A-INFO.



AINFO Inc.

China(Beijing): Tel: (+86) 10-6266-7326,
China(Chengdu): Tel: (+86) 28-8519-2786,
USA: Tel: (+1) 949-639-9688,

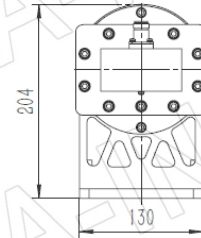
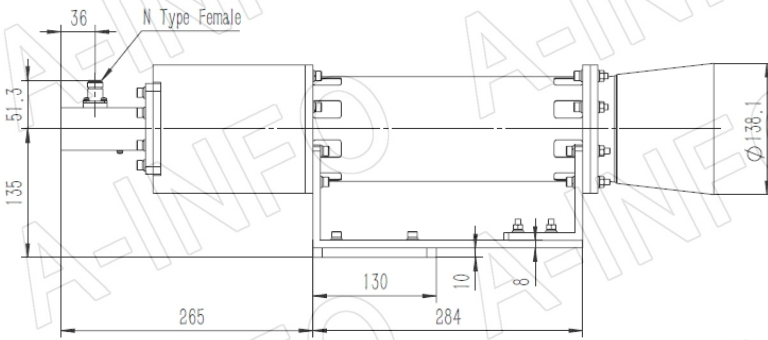
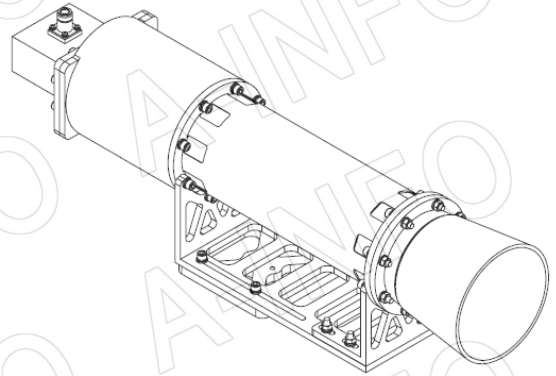
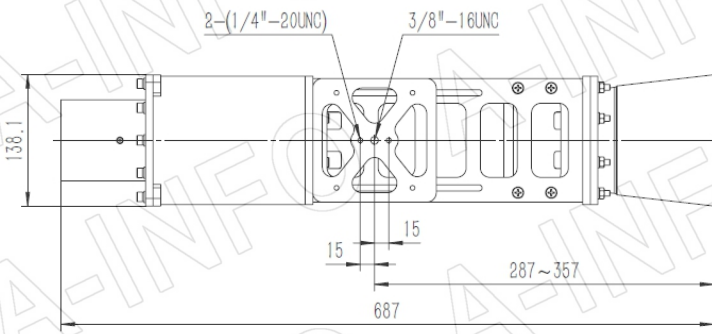
Page 1 of 5

(+86) 10-6266-7327 Fax: (+86) 10-6266-7379
(+86) 28-8519-3044 Fax: (+86) 28-8519-3068
(+1) 949-639-9608 Fax: (+1) 949-639-9670

Website: www.ainfoinc.com
Email: sales@ainfoinc.com

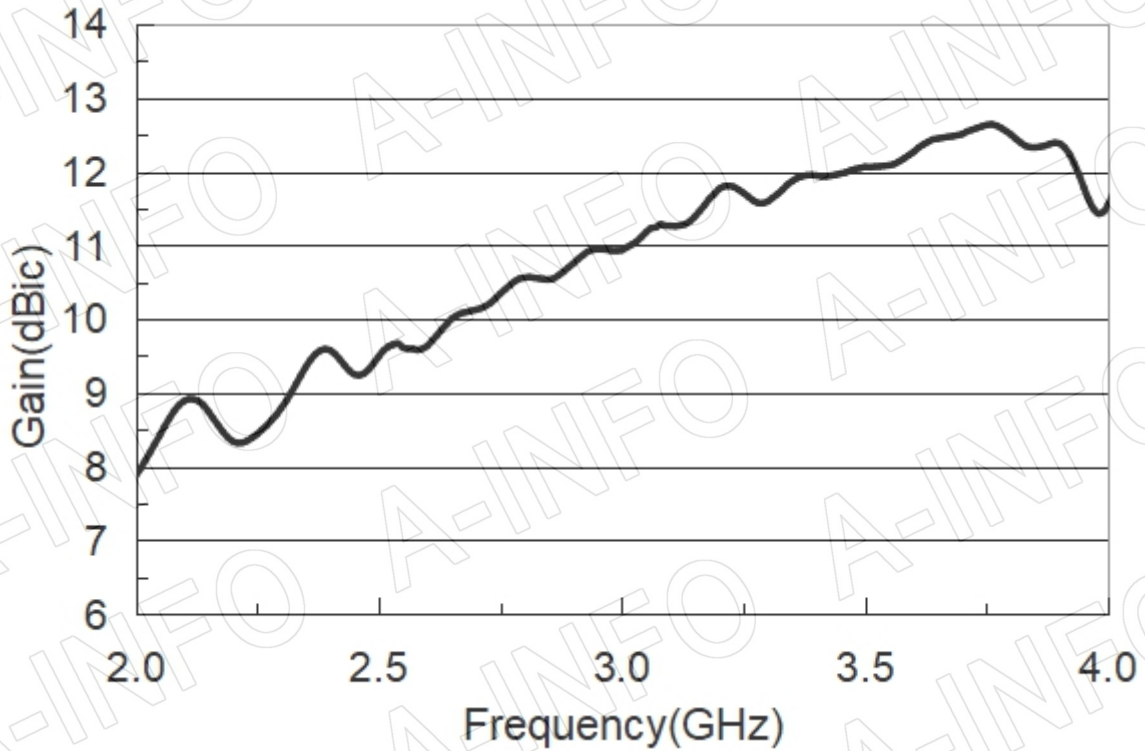
N-Female Output with L Type Mounting Bracket (Option, P/N: LB-CNH-320-10-L)

For SMA-Female output outline drawing, please contact A-INFO.

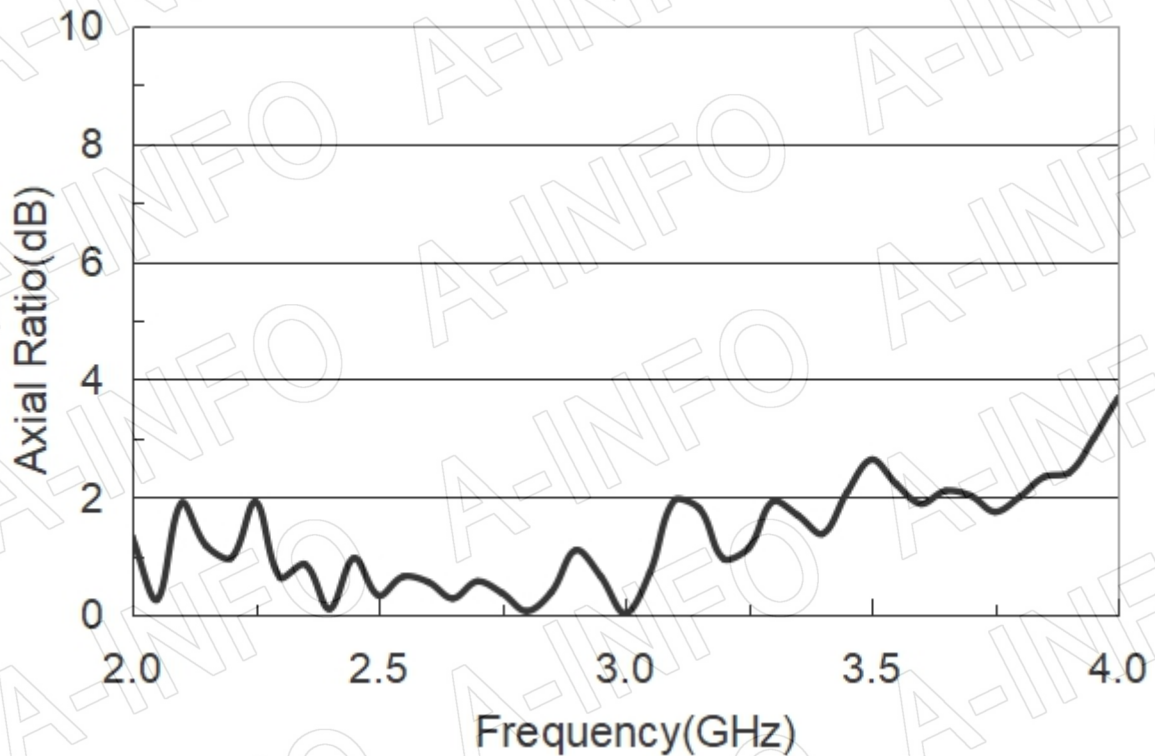


Test Results

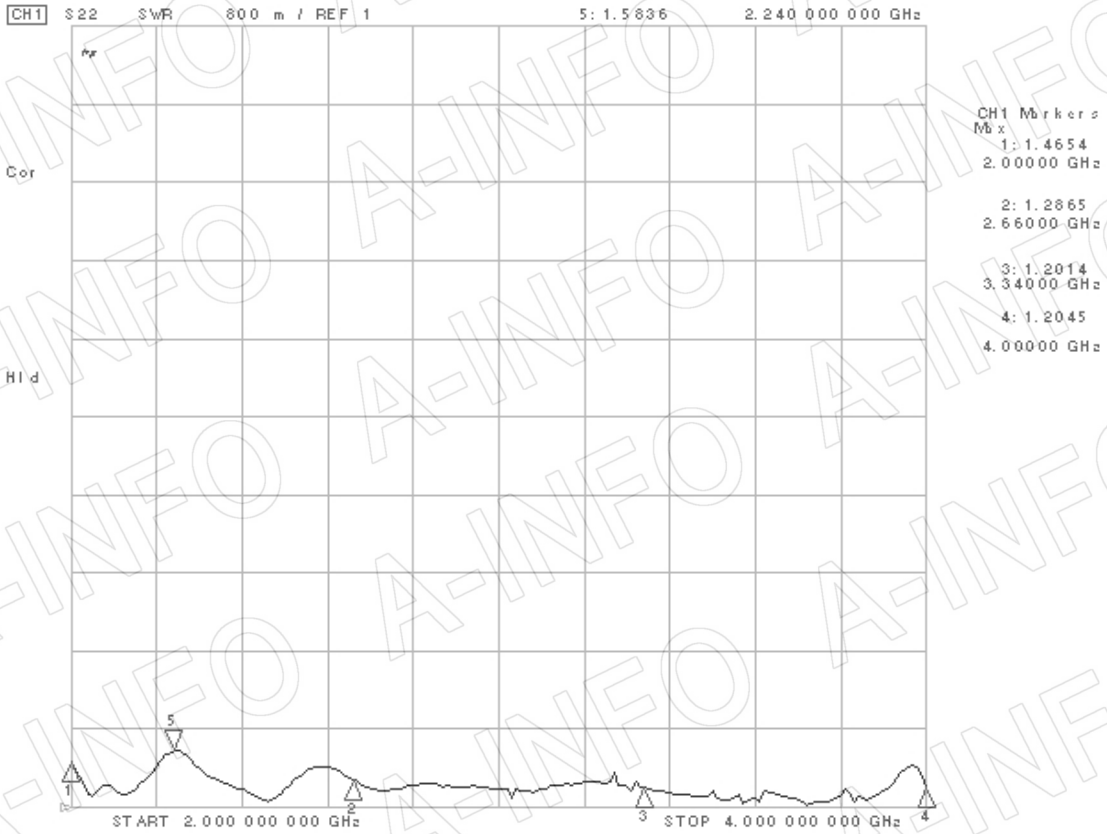
1. Gain



2. Axial Ratio



3. VSWR



AINFO Inc.

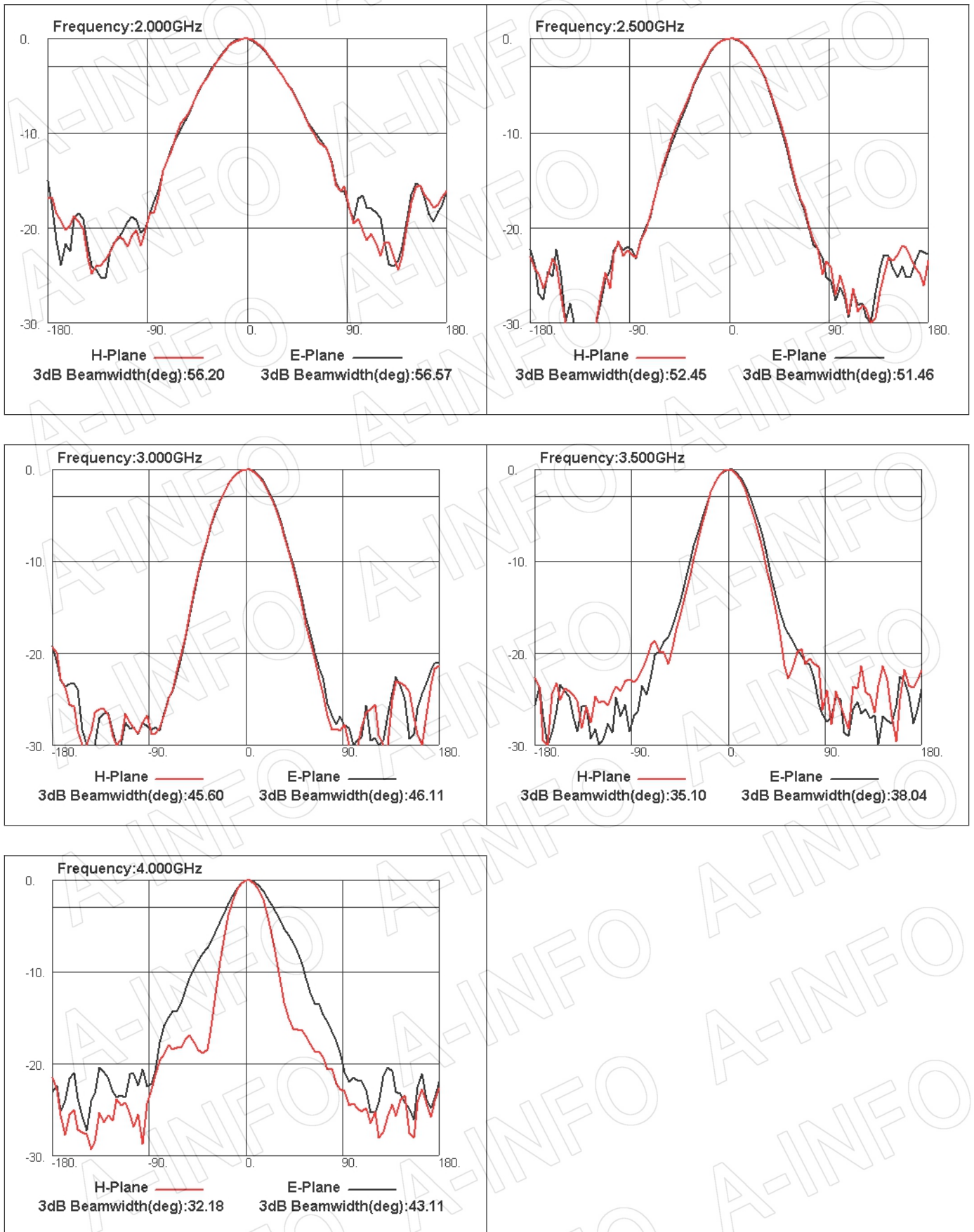
China(Beijing): Tel: (+86) 10-6266-7326,
China(Chengdu): Tel: (+86) 28-8519-2786,
USA: Tel: (+1) 949-639-9688,

Page 4 of 5

(+86) 10-6266-7327 Fax: (+86) 10-6266-7379
(+86) 28-8519-3044 Fax: (+86) 28-8519-3068
(+1) 949-639-9608 Fax: (+1) 949-639-9670

Website: www.ainfoinc.com
Email: sales@ainfoinc.com

4. Pattern



AINFO Inc.

China(Beijing): Tel: (+86) 10-6266-7326,
China(Chengdu): Tel: (+86) 28-8519-2786,
USA : Tel: (+1) 949-639-9688,

Page 5 of 5

(+86) 10-6266-7327 Fax: (+86) 10-6266-7379
(+86) 28-8519-3044 Fax: (+86) 28-8519-3068
(+1) 949-639-9608 Fax: (+1) 949-639-9670

Website: www.ainfoinc.com
Email: sales@ainfoinc.com